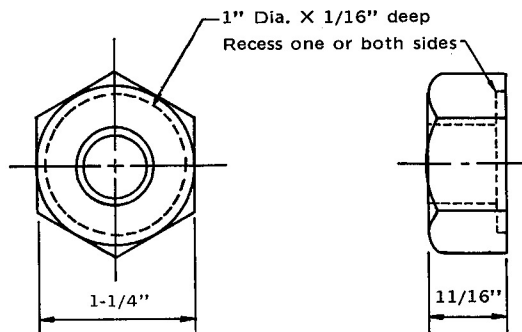


5/8" ϕ BUTTON HEAD BOLT

L	Thread Length
1-1/4"	Full length thread
2"	1-1/2" min. thread length
9-1/2"	1-3/4" min. thread length
18"	2-1/2" min. thread length
25"	2" min. thread length



5/8" ϕ RECESS NUT

SPECIFICATIONS

Bolts shall conform to the requirements of A.S.T.M. A307 and nuts to the requirements of A.S.T.M. A563, Grade A or better, and be galvanized in accordance with A.S.T.M. A153 except when corrosion resistant steel is requested in which case bolts and nuts shall be made of material having an atmospheric corrosion resistance, approximately two times that of carbon structural steel with copper and shall not be galvanized. Corrosion resistant bolts and nuts shall conform to or exceed the mechanical requirements of A.S.T.M. A307 and A563, Grade A, respectively.

INTENDED USE

1. (1-1/4 inch length). This bolt is used to splice rail elements used in the standard corrugated sheet steel beam guardrail designs G2, G4, and G9 and in median barrier designs MB2, MB4, MB4B, MB9, MB9B, and BCT.
2. (2 inch length). This bolt is for fastening rails to steel posts when used in the standard corrugated sheet steel beam guardrail designs G4 and G9 and median barrier designs MB4, MB4B, MB9, MB9B, and BCT.
3. (9-1/2 inch length). This bolt is for fastening rails, when used as rub rails, to wood or concrete posts in the standard corrugated sheet steel beam guardrail design G4 and median barrier design MB4.
4. (18 inch length). This bolt is for fastening rails to wood or concrete posts in the standard corrugated sheet steel beam guardrail designs G4 and G9.
5. (25 inch length). This bolt is for fastening rails to wood or concrete posts in the standard corrugated sheet steel beam median barrier designs MB4 and MB9.

Note: See Standards F-12-73 and F-13-73 for washers that may be used with these bolts.

5/8" BUTTON HEAD BOLT AND RECESS NUT

HM-TF-13

STANDARD

F-3 [LENGTH DESIGNATION] -76